

JZ300 VESA Mount

User Manual



SAFETY INSTRUCTIONS



WARNING: Before beginning, turn off the media player, disconnect the AC adapter from the electrical outlet and the media player, and remove any other external cables from the media player.

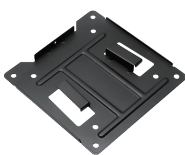


Note: The VESA Mount is compatible with the following players: Giada AE67 / D360 / DF68 / DF610 / G330 / G367 / G468.

VESA MOUNTING MATERIALS



Big Bracket



Small Bracket



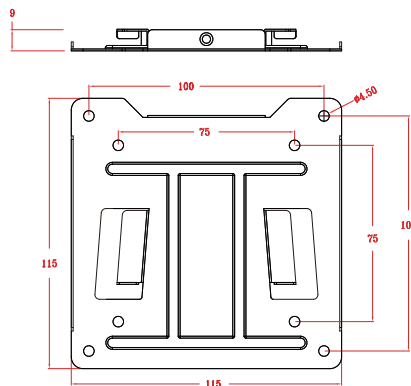
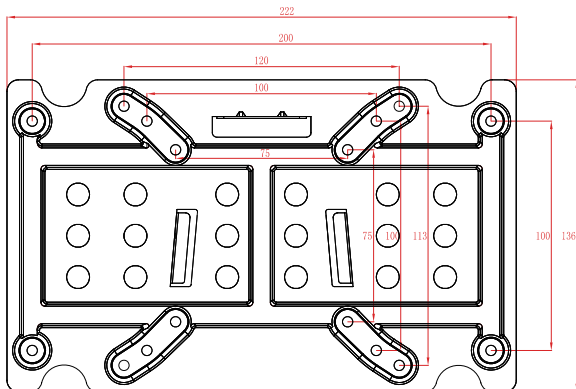
M4*L4MM
Mechanical Screws



M4*L10MM
Mechanical Screws

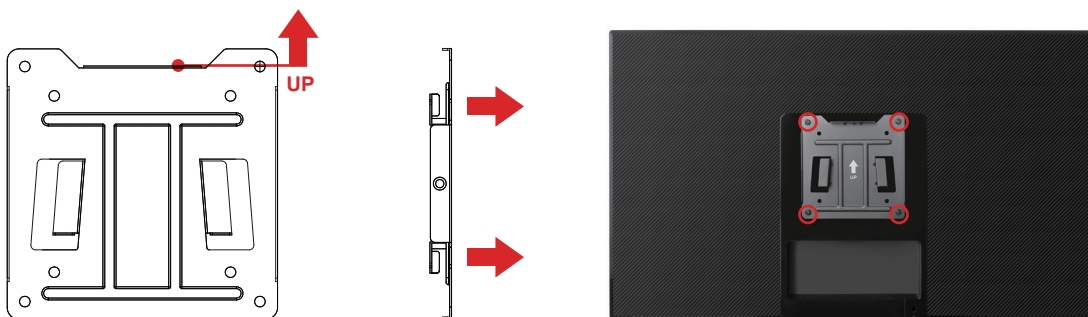
Parts	Quantity
Big Bracket	1
Small Bracket	1
M4*L4MM Mechanical Screws	6
M4*L10MM Mechanical Screws	5

DIMENSIONS

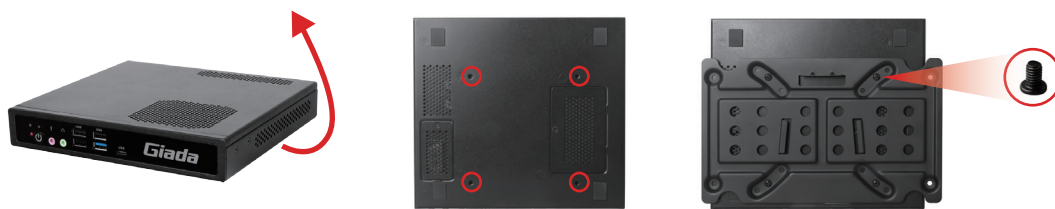


INSTALLATION

1. Assemble the Small Bracket (in the direction shown as the following figure) to the rear of a compatible display with four M4*L10MM Screws.



2. Fix the media player to the Big Bracket with four M4*L4MM Mechanical Screws.



3. Hang the Big Bracket to the Small Bracket and fix the two brackets with a M4*L10MM Mechanical Screw. The installation is completed.

